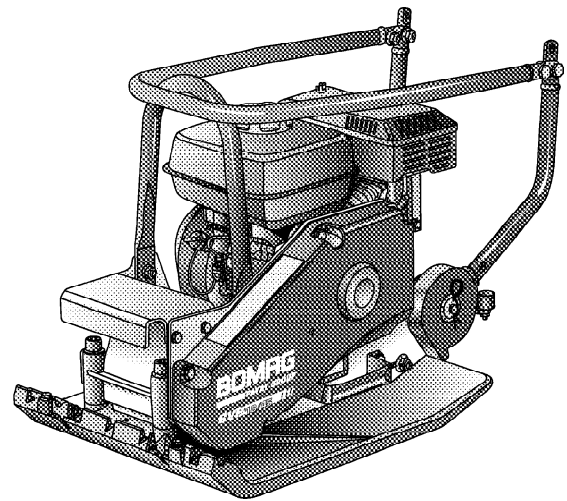


SINGLE DIRECTION VIBRATORY PLATES BVP 10/36, BVP 18/45

PERFORMANCE DATA



Machine type	Compaction output (m ³ /h) at recommended soil layer thicknesses		
	Gravel, sand	Mixed soil	Silt, clay
BVP 10/36	11-16	11-16	
BVP 18/45	17-23	14-20	

Machine type	Compaction output (t/h) at different asphalt layer thicknesses		
	2-4 cm	6-8 cm	10-14 cm
BVP 10/36	4-8	10-13	
BVP 18/45	5-10	11-15	

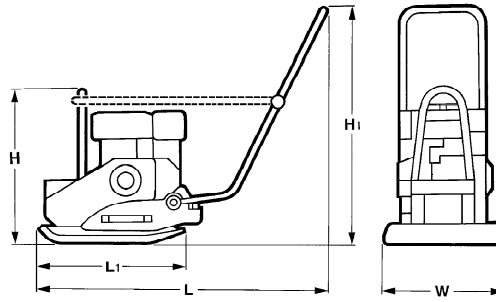
Technical Data

Shipping dimensions in m3

	without cabin	with cabin
BVP 10/36	0,146	0,250
BVP 18/45	0,183	0,313

Standard

- Vibration insulated steering bow, foldable
- Detachable steering handle
- Highly wear resistant base plate
- Automatic shutdown at low oil level
- Recoil starter
- Single point lifting device
- Fully protected V-belt
- Carrying handles



Dimensions in mm

	H	H1	L	L1	W
BVP 10/36	535	915	1115	558	360
BVP 18/45	535	915	1115	558	450

Options

- Sprinkler system
- Transport wheels
- Plastic mat
- Tool kit

Technical Data

Weights

	BOMAG BVP 10/36	BOMAG BVP 18/45
Operating weight CECE	83	91
Basic weight	82	90

Dimensions

	BOMAG BVP 10/36	BOMAG BVP 18/45
Working width	360	450

Driving Characteristics

	BOMAG BVP 10/36	BOMAG BVP 18/45
Working speed, max.	25 m/min	25
Max. gradeability (depending on soil conditions)	30 %	30

Drive

	BOMAG BVP 10/36	BOMAG BVP 18/45
Engine manufacturer	Honda	Honda
Type	GX 120	GX 160
Cooling	air	air
Number of cylinders	1	1
Performance ISO 9249	2,6 kW	3,6
Speed	3.600 min ⁻¹	3.600
Drive system	mech.	mech.
Fuel	gasoline	gasoline

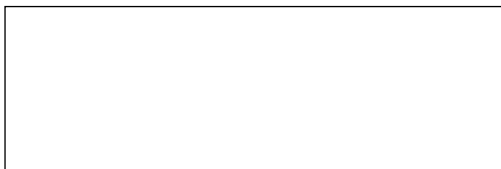
Exciter system

	BOMAG BVP 10/36	BOMAG BVP 18/45
Frequency	90 Hz	90
Centrifugal force	10 kN	18

Capacities

	BOMAG BVP 10/36	BOMAG BVP 18/45
Fuel	2,5 l	3,6
Water	7 l	7

Technical modifications reserved. Machines may be shown with options.



BOMAG
 Hellerwald
 D-56154 Boppard
 P.O. Box 5162
 Tel. (0)6742 - 1000
 Fax (0)6742 - 3090
 Fax (0)6742 - 3090

BOMAG
 FAYAT GROUP