



BOMAG
FAYAT GROUP

Tandem Vibratory Roller BW135AD-5, BW138AD-5



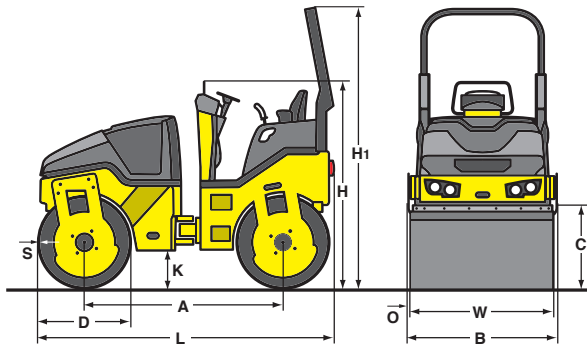
KEY FEATURES

- Kubota diesel engine
- Foldable ROPS
- Dual Vibration Frequency
- Double travel lever
- No daily grease points
- Easy & simple operation



Technical Specifications

BW135AD-5, BW138AD-5



Shipping dimensions in cubic feet (m³)

BW135AD-5	377	(10.7)
BW138AD-5	398	(11.3)

Standard Equipment

- Hydrostatic travel and vibration drives
- Dual vibration frequency
- Foldable ROPS with safety belts
- Suspended operator's platform
- Adjustable operator's seat
- Lateral sliding seat
- Seat with safety contact switch
- Double travel lever
- Individual vibration control
- 2 flexible scrapers per drum
- Bolt-on oscillating/articulating joint
- Pressure water sprinkler system
- Water system interval switch
- Lockable engine cover
- Lockable dashboard cover
- Emergency stop button
- Working lights front/rear
- Fuel level indicator
- Hour meter
- Back-up alarm

Optional Equipment

- Economizer (Factory Installation)
- Rotary beacon
- Edge cutter
- Indicator and hazard lights
- Biodegradable hydraulic oil
- Special paint color

Dimensions in inches (mm)

	A	B	C	D	H	H ₁	K	L	O	S	W
BW135AD-5	74.8 (1900)	54.7 (1390)	27.6 (700)	35.4 (900)	74.8 (1900)	106.3 (2700)	13.4 (340)	111.8 (2840)	1.7 (44)	0.6 (16)	51.2 (1300)
BW138AD-5	74.8 (1900)	57.9 (1470)	27.6 (700)	35.4 (900)	74.8 (1900)	106.3 (2700)	13.4 (340)	111.8 (2840)	1.7 (44)	0.7 (18)	54.3 (1380)

Technical Data

Weights

Operating weight w. ROPS CECE	lbs (kg)
Average axle load CECE	lbs (kg)
Average static linear load CECE.....	pli (kg/cm)

BOMAG

BW135AD-5

Operating weight w. ROPS CECE	8488 (3850)
Average axle load CECE	4244 (1925)
Average static linear load CECE.....	82.9 (14.8)

BOMAG

BW138AD-5

Operating weight w. ROPS CECE	9370 (4250)
Average axle load CECE	4685 (2125)
Average static linear load CECE.....	86.3 (15.4)

Driving Characteristics

Working speed	mph (kmph)
Max. travel speed	mph (kmph)
Gradeability (with / without vibration)	%

Working speed	0 - 3.1 (0 - 5)
Max. travel speed	0 - 6.2 (0 - 10)
Gradeability (with / without vibration)	40

Working speed	0 - 3.1 (0 - 5)
Max. travel speed	0 - 6.2 (0 - 10)
Gradeability (with / without vibration)	30 / 40

Drive

Engine manufacturer + type	
Tier Compliance	
Cooling	
Number of cylinders	
Performance SAE J 1995 (ISO 9249)	hp (kW)
Speed adjustment 1	rpm
Speed adjustment 2	rpm
Electric equipment	V
Drive system	

Engine manufacturer + type	Kubota V 2203
Tier Compliance	Tier 4i
Cooling	water
Number of cylinders	4
Performance SAE J 1995 (ISO 9249)	45.3 (33.3) @ 2600 rpm
Speed adjustment 1	2600
Speed adjustment 2	2300
Electric equipment	12
Drive system	hydrostatic

Engine manufacturer + type	Kubota V 2203
Tier Compliance	Tier 4i
Cooling	water
Number of cylinders	4
Performance SAE J 1995 (ISO 9249)	45.3 (33.3) @ 2600 rpm
Speed adjustment 1	2600
Speed adjustment 2	2300
Electric equipment	12
Drive system	hydrostatic

Brakes

Service brake	
Parking brake	

Service brake	hydrostatic
Parking brake	hydromec.

Service brake	hydrostatic
Parking brake	hydromec.

Steering

Steering system and method	
Steering / Oscillating angle +/-	degrees
Crab walk / Mechanical	in (mm)
Track radius, inner	in (mm)

Steering system and method	oscil. / artic. / hydrostatic
Steering / Oscillating angle +/-	32 / 10
Crab walk / Mechanical	2 (50)
Track radius, inner	104.9 (2665)

Steering system and method	oscil. / artic. / hydrostatic
Steering / Oscillating angle +/-	32 / 10
Crab walk / Mechanical	2 (50)
Track radius, inner	103 (2616)

Exciter system

Vibrating drum	
Drive system	
Frequency	vpm (Hz)
Amplitude	in (mm)
Centrifugal force (each drum)	lbs (kN)

Vibrating drum	front + rear
Drive system	hydrostatic
Frequency	3480 / 2820 (58 / 47)
Amplitude	0.016 (0.4)
Centrifugal force (each drum)	9000 / 5850 (40 / 26)

Vibrating drum	front + rear
Drive system	hydrostatic
Frequency	3480 / 2820 (58 / 47)
Amplitude	0.016 (0.4)
Centrifugal force (each drum)	10800 / 6975 (48 / 31)

Sprinkler System

Type	
------------	--

Type	pressure with interval
------------	------------------------

Type	pressure with interval
------------	------------------------

Capacities

Fuel	gal (l)
Water	gal (l)

Fuel	14.5 (55)
Water	81.9 (310)

Fuel	14.5 (55)
Water	81.9 (310)

Technical modifications reserved. Machines may be shown with options.